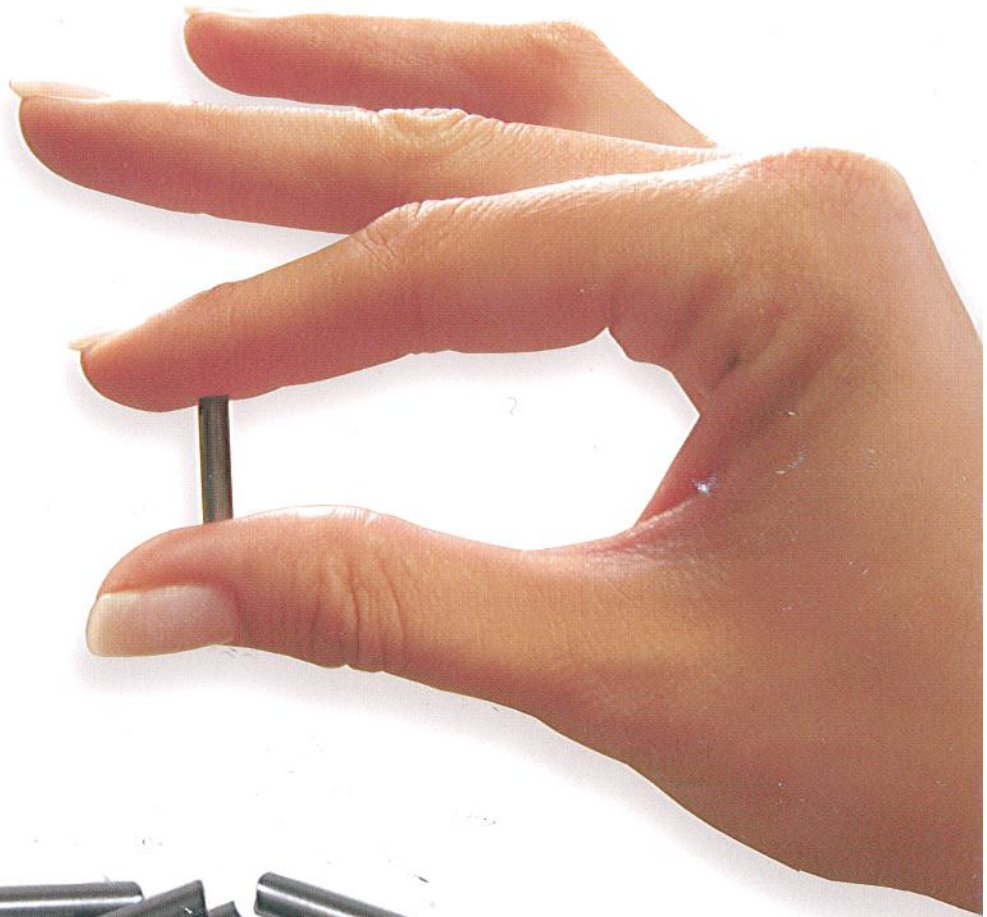




STE
portable hardness tester



The proper solution for any hardness control issue

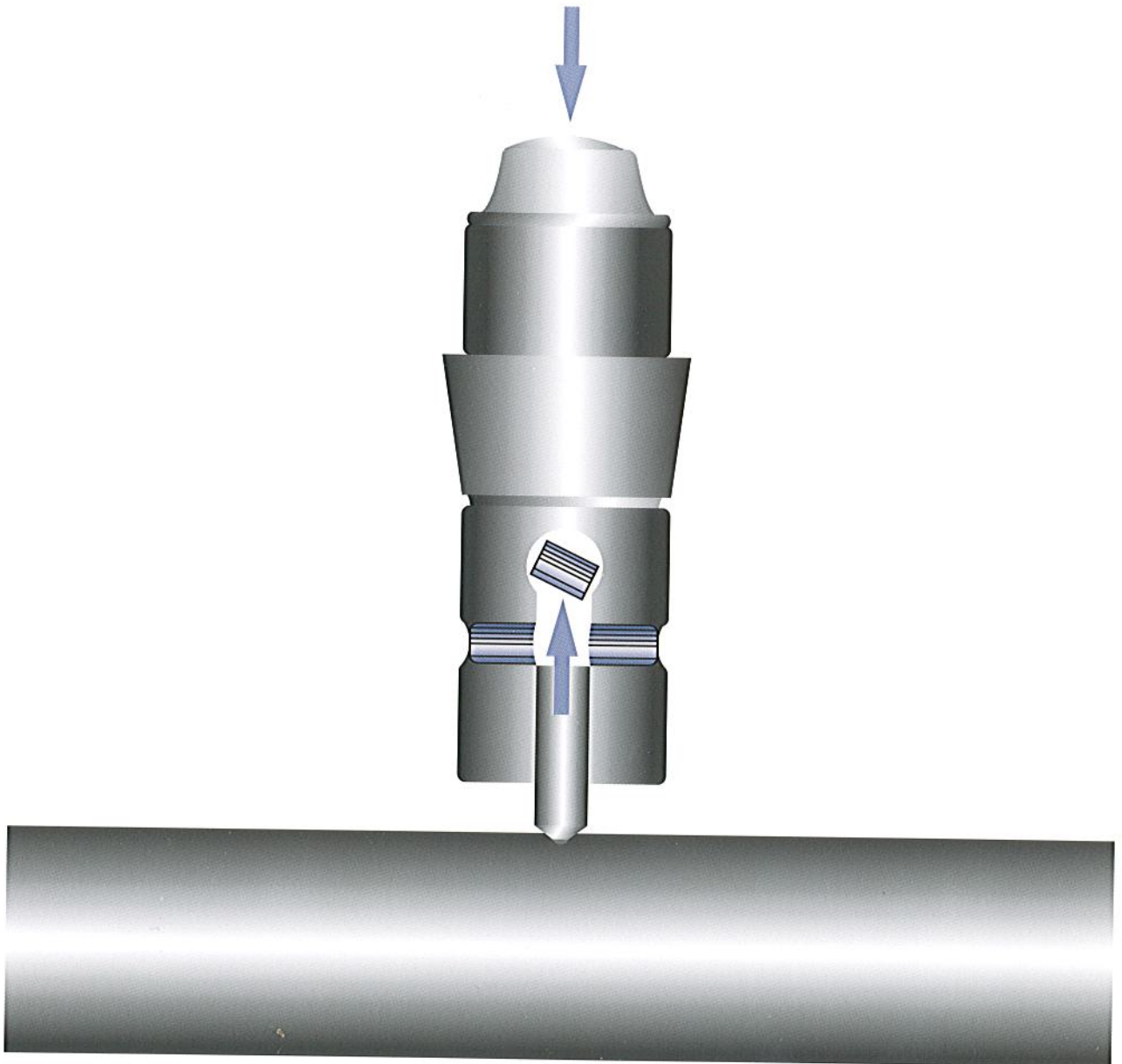
ERNST

ERNST STE - THE PRINCIPLE

The accuracy and the consistency of the STE hardness tester is due to the original principle of the loading system.

The applied force causes penetration of the indenter into the surface with a load determined by the calibrated pin, which breaks at 1580 kp.

The value of Brinell hardness is obtained by reading the diameter of indentation on readout charts which assure proper correlation between load applied and impression diameter, and are provided with each bag of pins.



The ERNST calibrated pin system replaces the impact bar system giving a greater versatility and high accuracy. The indentations can be made very quickly even by an unskilled operator. The indentation can be read immediately, or at a later time by an inspector.

Due to the fact that with the calibrated pin system only one reading of the indentation on the piece is necessary, error possibilities are cut by 50% compared to the impact bar system.

The comparison errors are eliminated and the resulting accuracy is comparable to the bench hardness testers.

COMPOSITION A
(contains composition B)

COMPOSITION B

The assembled system HOLDER, PIN and INDENTER, are the same for the static system STE A as for the impact system STE B.



The static system allows load application via a lever on a clamp, particularly suitable for testing of castings. The screw system allows immediate load application.



Loading is independent of the operator; it is always determined by the breaking of a calibrated pin. The Brinell hardness value is obtained by reading the diameter of indentation and by comparison with the Brinell hardness reading table



STE A and STE B are delivered in the classic wooden polished box



Standard magnifying glass 8x eyepiece for indentation diameter reading



STE - portable hardness tester



The optional bench support allows quick lock of the clamp for static testing. Ideal for testing small and medium size pieces. Turns portable instrument into a small bench tester



Carbide indenter allows hardness testing between 400HB and 700HB (65HRC)



Bags of 250 calibrated pins each, with Brinell hardness reading table. The pins are divided in different classes with control certificates and are available on customers request



Optional unique 20x scope with built-in LED Lighting. Built-in LEDs for optimum illumination of test impression. One battery lasts up to 200 hrs or more. Turns On and Off with a twist of the base. No awkward flashlight attachment.

STE

Calibrated pin ERNST principle
Resistant and reliable
Works in narrow spaces,
in all positions, on test pieces of all shapes and dimensions
Heavy load 15500N (1580kp)
Result easily obtained by reading of one indentation



STE - COMPOSITION A

static (clamp) and impact (hammer) version

STANDARD ACCESSORIES

Wooden box
Indenter (steel 100 ÷ 450 HB30)
Magnifying glass 8x eyepiece
Clamp for static testing
Sleeve for impact testing
Flat anvil Ø 20mm
V-anvil for rounded pieces
Test plate
Flat anvil Ø 40mm
Set of wrenches
250 calibrated pins
Table and instruction for use

Total weight 6,0Kg
Clamp weight 3,6Kg
Clamp capacity 150mm

STE - COMPOSITION B

impact (hammer) version only

STANDARD ACCESSORIES

Wooden box
Indenter (steel 100 ÷ 450 HB30)
Magnifying glass 8x eyepiece
Sleeve for impact testing
Up holding key
Magnifying glass in leather case
250 calibrated pins
Table and instruction for use

ERNST HÄRTEPRÜFER SA

www.ernstsa.com

Strada Cantonale CH-6814 Lamone - Switzerland

■ Tel. +41 91 966 21 81 ■ Fax. +41 91 966 97 35 ■ info@ernstsa.com